



LG25 GEAR MOTOR

- ✓ Suitable for mounting where space is limited - e.g. smaller greenhouses and orangeries
- ✓ Compact and quiet with built-in limit switch function
- ✓ Closed gear box - no maintenance
- ✓ 1 x 230 V
- ✓ The gear unit can pull up to 10 m window of polycarbonate and up to 7 m window of glass



High performance and quiet operation

LG25 is a compact and lightweight gear motor with high performance and small installation dimensions, which makes it suitable for mounting where space is limited.

Combined gear

- LG25 is a combined gear consisting of a helical gear driving a self-locking worm gear.
- The helical gear ensures a smooth and quiet operation with a minimum of vibration.
- The self-locking function secures the vent or screen when power is cut off.

Motor relay

- LG25 can be connected with motor relay MR906 for manual operation.

Coupling possibilities

- Profile coupling
- Drill coupling

Limit switch function

- LG25 has a built-in limit switch function that mechanically ensures the output shaft stops at the desired position each time.
- LG25 is easy to adjust and can be set to the desired standard operation.
- As standard operation range the LG25 can be supplied with 0-15, 0-20 and 0-50 rotations.

Gear of high quality

- We have been producing gear motors since 1953, and the products have been undergoing a constant development throughout the years.
- The gear motors are produced of aluminium, high alloy steel and bronze.
- The selected materials and the ball bearings ensure a long lifetime for the LG25 gear motor.



SPECIFICATIONS / LG25 GEAR MOTOR




Technical specifications

Item no.	Torque output Nm	Output RPM	Max. number of rotations between limit switches	Supply voltage / V	Frequency / Hz	Current / A	Power / kW
120500	20	2,00	15	1 x 230	50	0,2	0,02
120550	20	2,00	50	1 x 230	50	0,2	0,02

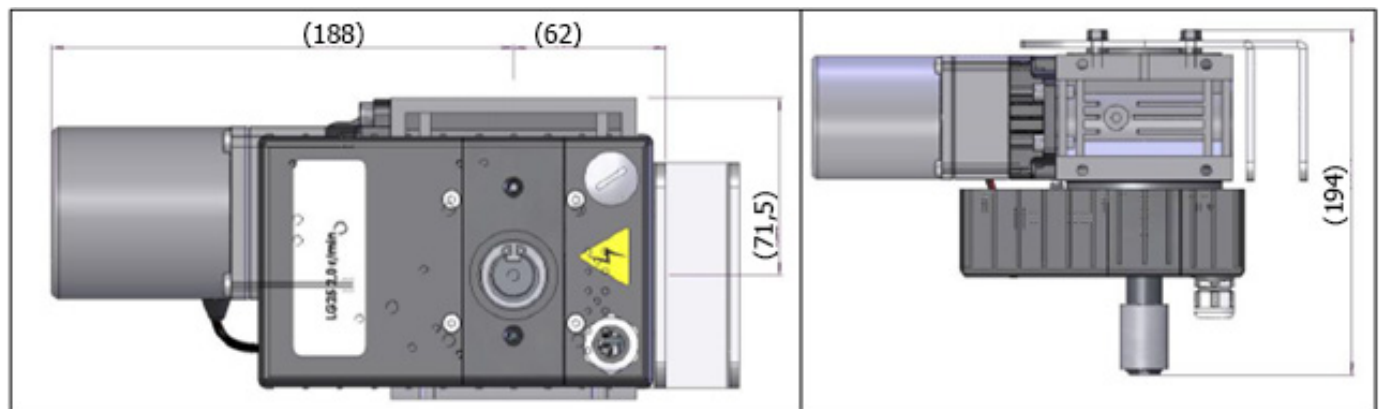
Physical specifications

Net weight:	Dimensions L x W x H:	Surface temperature
4,5 kg	250 / 280 x 194 x 134 / 164 mm	65° C under normal operating conditions

Accessories

	Item no.	Description	Order quantity per gear
		Console	Included
		Drill coupling for 1" inner pipe (*)	Included
	140400	Profile coupling piece (*)	1
	90140620	Profile coupling 100 complete	1

* Drill coupling is fitted as standard, but item no. 140400 (profile coupling piece) can be purchased. This will be delivered separately, so you can replace the drill coupling with the profile coupling piece yourself.



Distributor:

Contact details:

DGT by Senmatic
 Phone: +45 64 89 22 11
 dgtsales@senmatic.com - www.senmatic.dk

Version: 18102023

Head office:

Senmatic A/S - Industrivej 8 - DK-5471 Sønderlø